



G Series Semi-rigid Cable Assemblies

G3/SMA Male / SMA Male/DC-26.5 GHz

Features:

- Max Frequency 26.5 GHz
- VSWR max of 1.30
- Velocity of Propagation of 70%

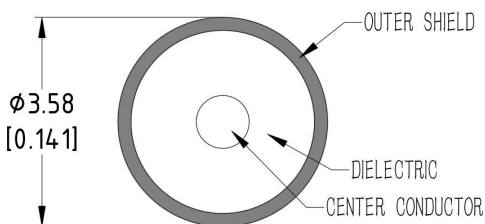
Applications:

- Test & Measurement equipment
- Manufacturing lab
- WAN system equipment

Electrical Characteristics:

| Parameter | Min | Typ | Max | Units |
|-------------------------|-----|------|------|-------|
| Frequency Range | DC | | 26.5 | GHz |
| VSWR | | 1.25 | 1.3 | :1 |
| Velocity of propagation | | 70% | | |
| Shielding Effectiveness | 90 | | | dB |
| Capacitance | | | 81 | pF/m |

Cable Cross Section:



Environmental And Physical Characteristics:

| Description | Parameter | Units |
|-----------------------|-------------|-------|
| Cable Diameter | 3.58 | mm |
| Min. Bending Radius | 18 | mm |
| Typical Flex life | 50000 | |
| Operating Temperature | -55 to +200 | °C |
| Storage Temperature | -55 to +200 | °C |

Cable Performance By Frequency

| Frequency | 2 GHz | 4 GHz | 6 GHz | 8 GHz | 12 GHz | 16 GHz | 18 GHz | 26.5 GHz |
|----------------------------|-------|-------|-------|-------|--------|--------|--------|----------|
| Insertion Loss (dB/m Max) | 0.56 | 0.84 | 1.07 | 1.29 | 1.66 | 2.00 | 2.16 | 2.81 |
| RF Power CW (W Max.) | 181 | 121 | 95 | 79 | 62 | 51 | 47 | 36 |

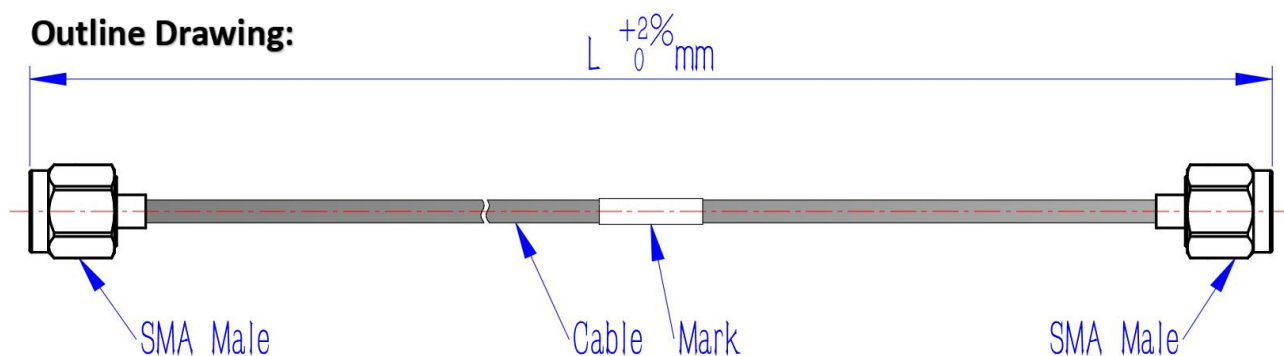


G3-SMAMSMAM-L

Connectors:

| Description | Connector 1 | Connector 2 |
|------------------------------|----------------------------|----------------------------|
| Type | SMA Straight Male | SMA Straight Male |
| Contact Material And Plating | Brass,Gold | Brass,Gold |
| Dielectric Type | PTFE | PTFE |
| Body Material And Plating | Passivated Stainless Steel | Passivated Stainless Steel |
| Insertion Loss (dB Max) | $0.05 * \sqrt{f_GHz}$ | $0.05 * \sqrt{f_GHz}$ |

Outline Drawing:



Ordering Information:

| Base Number | Length (Unit meters) | Phase/delay Matched |
|-------------|----------------------|---|
| G3-SMAMSMAM | -L | LEAVE BLANK(NOT REQUIRED) -XXPS($\leq \pm XX$ PS) -XX°($\pm XX^\circ$) |

Typical Performance Data:

Model:G3-SMAMSMAM-1m

| Frequency | 2 GHz | | 6 GHz | | 12 GHz | | 18 GHz | | 26.5 GHz | |
|----------------|-------|------|-------|------|--------|------|--------|------|----------|------|
| | Typ | Max | Typ | Max | Typ | Max | Typ | Max | Typ | Max |
| Insertion Loss | 0.63 | 0.70 | 1.20 | 1.32 | 1.83 | 2.00 | 2.37 | 2.59 | 3.06 | 3.32 |
| VSWR | 1.05 | 1.10 | 1.10 | 1.15 | 1.15 | 1.20 | 1.20 | 1.25 | 1.25 | 1.30 |