



## SP3T to SP6T Electromechanical Switch

Normally Open , DC to 40 GHz, 2.92mm, TTL, Indicators, D-SUB

### Electrical Characteristics:

Parameter	Value
Frequency Range	DC-40 GHz
RF Impedance	50 Ohms
Operation Mode	Normally Open
TTL Voltage	0-0.8 V(OFF) 2.4-5 V(ON)
Switch Sequence	Break before make
Switching time	15 ms Max
Standard Actuator Life	2 million Min
Actuator Voltage Available	12 24 28 V
Actuator current	285 150 140 mA
Indicator Specifications	Max withstand voltage: 60V Max current capacity: 100mA Max "ON" resistance: 16Ω



### RF Specifications:

Frequency (GHz)	DC-6	6-12	12-18	18-26.5	26.5-40
Insertion Loss (dB max.)	0.3	0.4	0.5	0.8	1.0
Isolation (dB min.)	70	60	60	50	50
VSWR (max.)	1.3:1	1.4:1	1.5:1	1.9:1	2.0:1
RF Power CW (Watts max.)	80	50	45	15	8

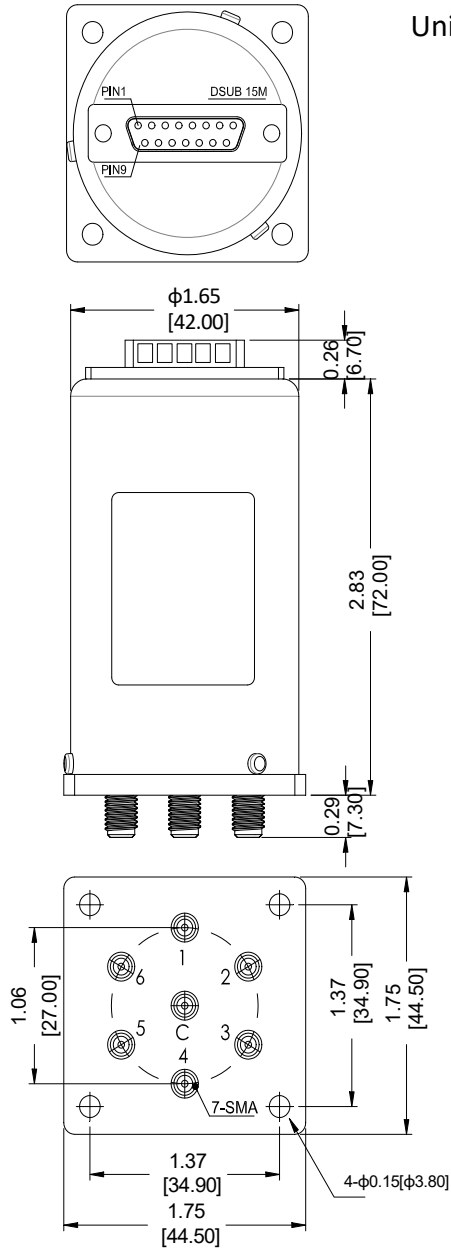
### Environmental And Physical Characteristics:

Parameter	Value
Operating Temperature	-25°C to +65°C (Standard ) -55°C to +85°C (Optional)
Vibration (operating)	10G RMS, 20-2000HZ
Shock (non operating)	50G, 1/2 Sine, 12msec
Connector Type	2.92mm Female
Control Connector	D-SUB 15 PIN Male
Weight	285g Max

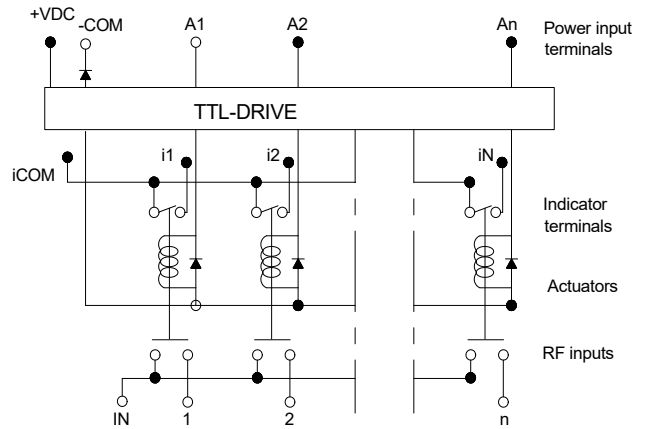


# SP3T to SP6T Electromechanical Switch

## Outline Drawing:



## Schematic:



Pin NO	FUNCTION	RF Connect Used			
		SP3T	SP4T	SP5T	SP6T
1	A1	1	1	1	1
2	A2		2	2	2
3	A3	3		3	3
4	A4			4	4
5	A5	5	4	5	5
6	A6		5		6
7	-COM				
8	IND1	1	1	1	1
9	IND2			2	2
10	IND3	3	2	3	3
11	IND4			4	4
12	IND5	5	4	5	5
13	IND6				6
14	IND COM		5		
15	+VDC/VDCI				

## Part Number:

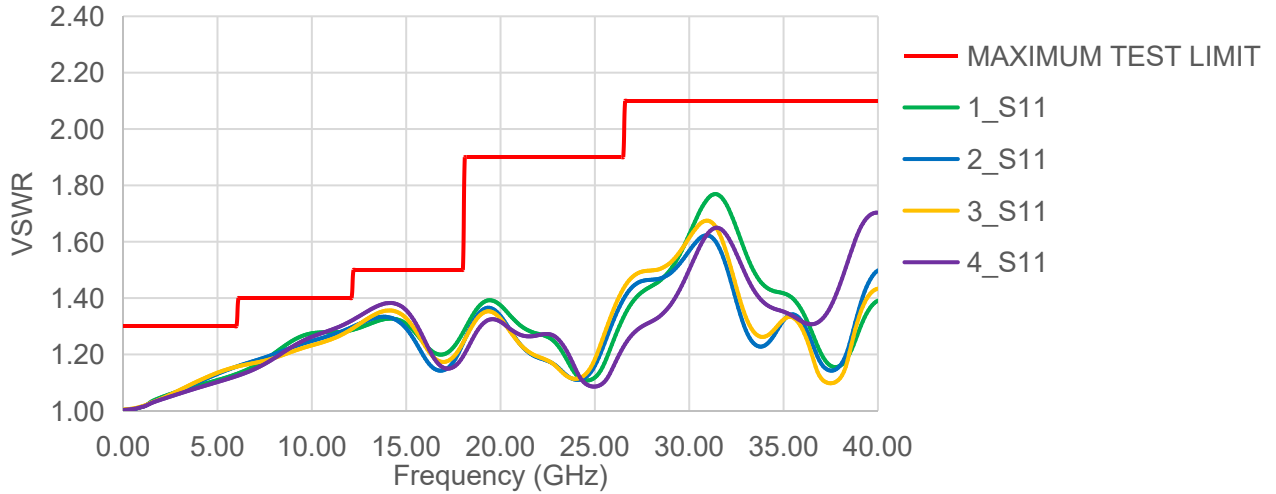
Part Number				Actuator voltage	Option
SP3T	SP4T	SP5T	SP6T		
R13-KN12T40-DI	R14-KN12T40-DI	R15-KN12T40-DI	R16-KN12T40-DI	12 V	-S(-55°C - +85°C)
R13-KN24T40-DI	R14-KN24T40-DI	R15-KN24T40-DI	R16-KN24T40-DI	24 V	
R13-KN28T40-DI	R14-KN28T40-DI	R15-KN28T40-DI	R16-KN28T40-DI	28 V	



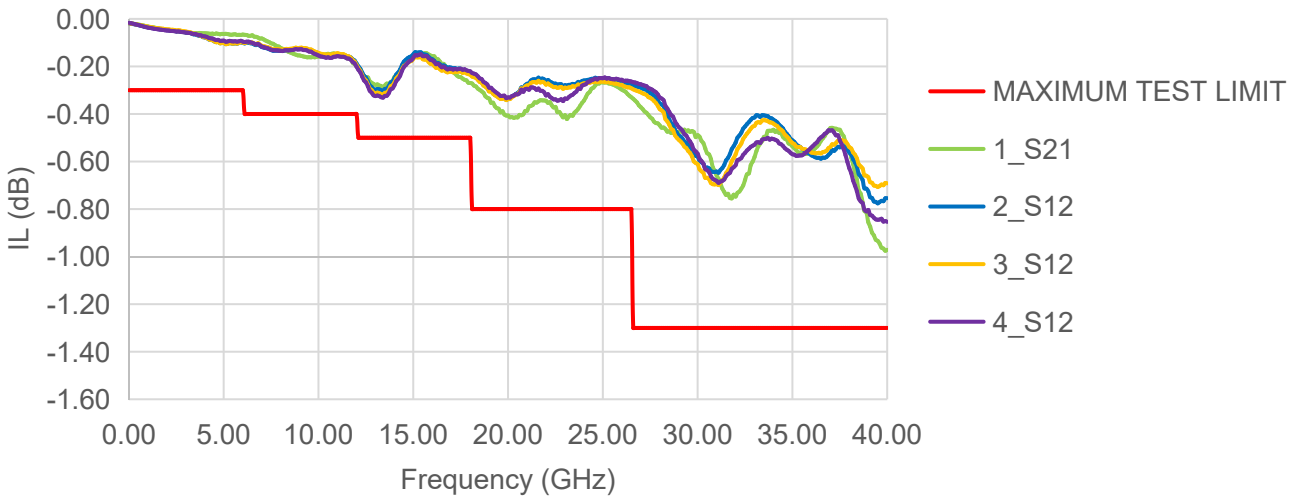
# SP3T to SP6T Electromechanical Switch

## Typical Performance Data:

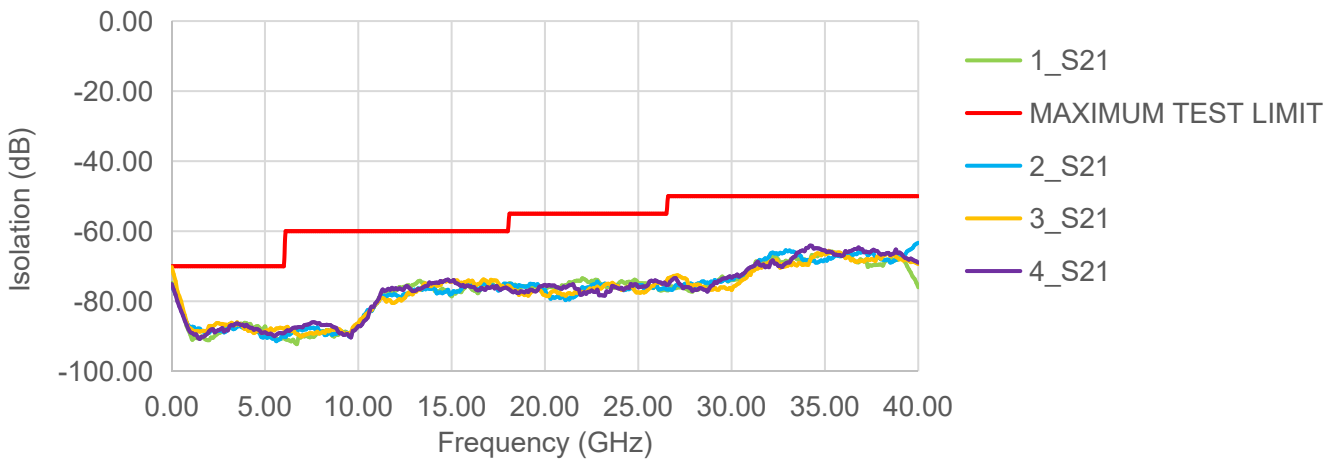
### VSWR



### INSERTION LOSS



### ISOLATION

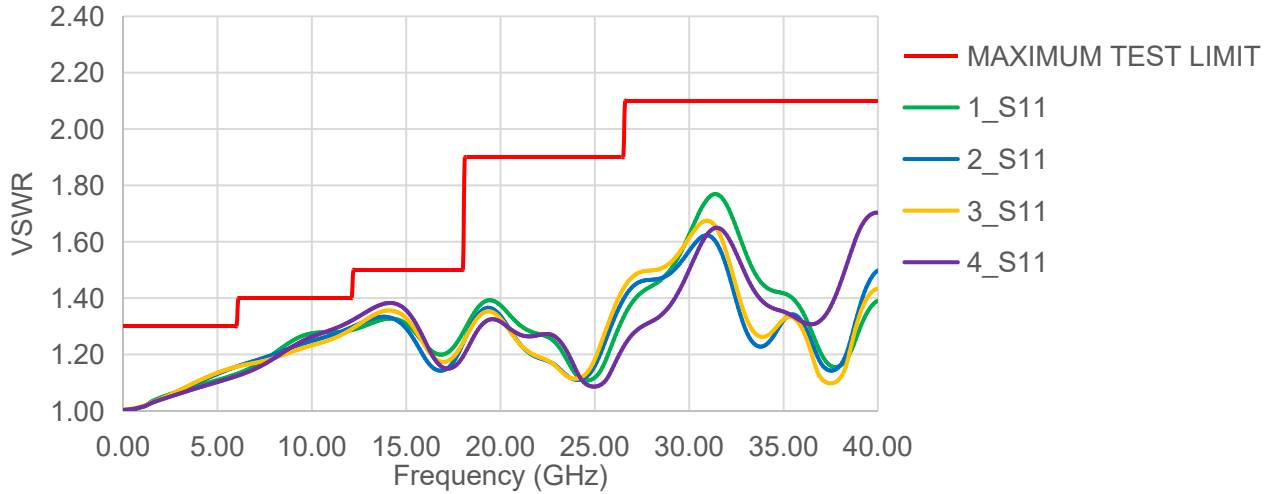




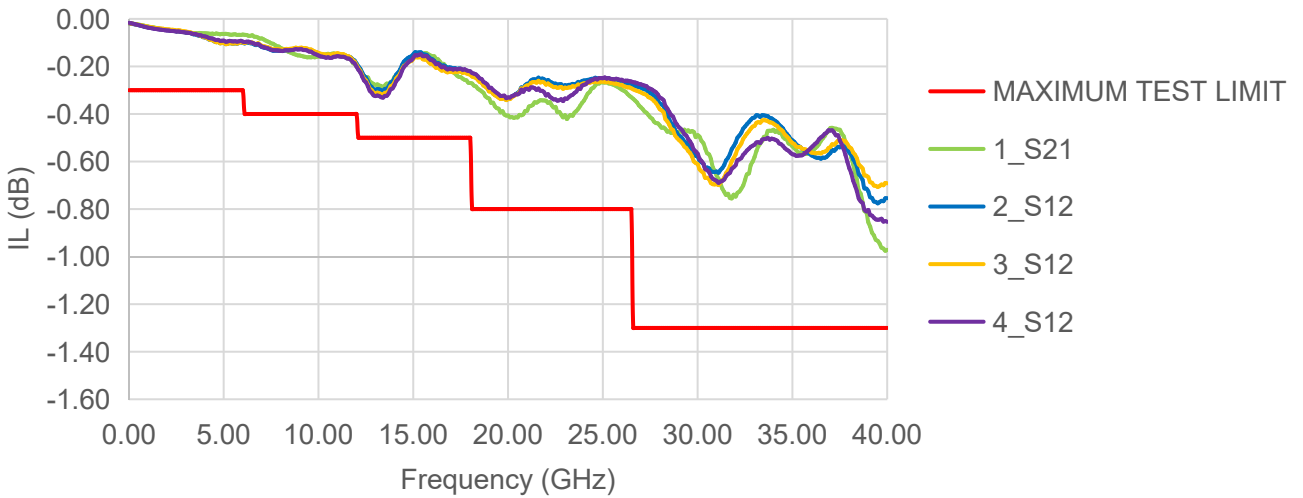
# SP3T to SP6T Electromechanical Switch

## Typical Performance Data:

### VSWR



### INSERTION LOSS



### ISOLATION

