



SP3T to SP6T Electromechanical Switch

Normally Open , DC to 40 GHz, 2.92mm, TTL, D-SUB

Electrical Characteristics:

| Parameter | Value |
|----------------------------|-------------------------|
| Frequency Range | DC-40 GHz |
| RF Impedance | 50 Ohms |
| 开关模式 Operation Mode | Normally Open |
| TTL TTL Voltage | 0-0.8 V(OFF)2.4-5 V(ON) |
| Switch Sequence | Break before make |
| Switching time | 15 ms Max |
| Standard Actuator Life | 2 million Min |
| Actuator Voltage Available | 12 24 28 V |
| Actuator current | 285 150 140 mA |



RF Specifications:

| Frequency (GHz) | DC-6 | 6-12 | 12-18 | 18-26.5 | 26.5-40 |
|--------------------------|-------|-------|-------|---------|---------|
| Insertion Loss (dB max.) | 0.3 | 0.4 | 0.5 | 0.8 | 1.0 |
| Isolation (dB min.) | 70 | 60 | 60 | 50 | 50 |
| VSWR (max.) | 1.3:1 | 1.4:1 | 1.5:1 | 1.9:1 | 2.0:1 |
| RF Power CW (Watts max.) | 80 | 50 | 45 | 15 | 8 |

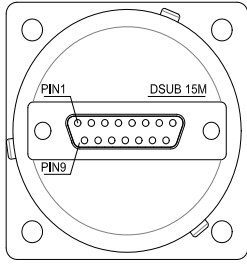
Environmental And Physical Characteristics:

| Parameter | Value |
|-----------------------|---|
| Operating Temperature | -25°C to +65°C(Standard) -55°C to +85°C(Optional) |
| Vibration(operating) | 10G RMS, 20-2000HZ |
| Shock(non operating) | 50G, 1/2Sine, 12msec |
| Connector Type | 2.92mm Female |
| Control Connector | D-SUB 15 PIN Male |
| Weight | 285g Max |

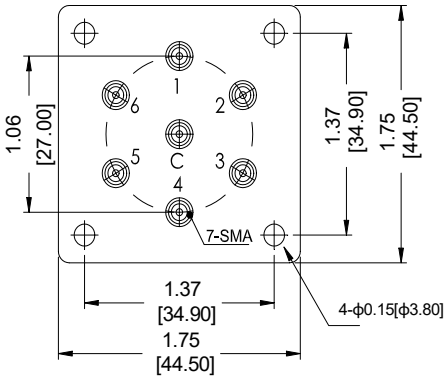
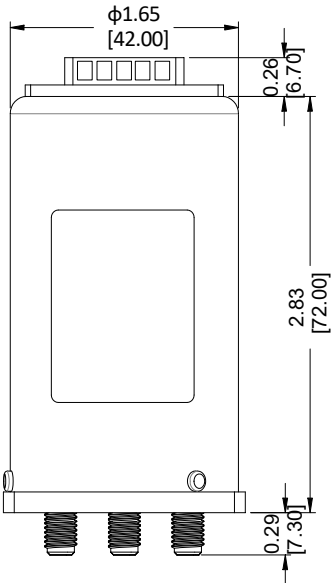


SP3T to SP6T Electromechanical Switch

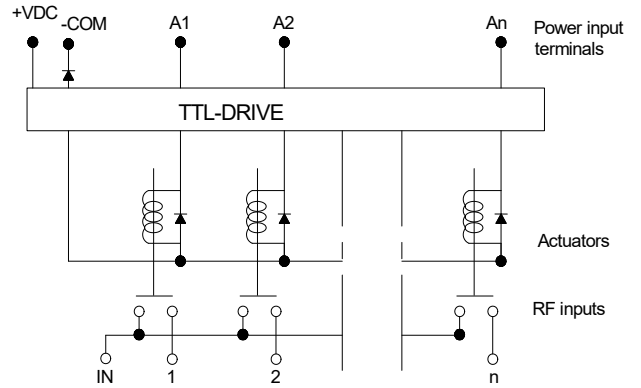
Outline Drawing:



Unit: Inch(mm)



Schematic:



| Pin NO | FUNCTION | RF Connect | | | |
|--------|----------|------------|------|------|------|
| | | SP3T | SP4T | SP5T | SP6T |
| 1 | A1 | 1 | 1 | 1 | 1 |
| 2 | A2 | | 2 | 2 | 2 |
| 3 | A3 | 3 | | 3 | 3 |
| 4 | A4 | | 4 | 4 | 4 |
| 5 | A5 | 5 | 5 | 5 | 5 |
| 6 | A6 | | | | 6 |
| 7 | -COM | | | | |
| 8 | NC | | | | |
| 9 | NC | | | | |
| 10 | NC | | | | |
| 11 | NC | | | | |
| 12 | NC | | | | |
| 13 | NC | | | | |
| 14 | NC | | | | |
| 15 | +VDC | | | | |

Part Number:

| Part Number | | | | Actuator voltage | Option |
|---------------|---------------|---------------|---------------|------------------|-------------------|
| SP3T | SP4T | SP5T | SP6T | | |
| R13-KN12T40-D | R14-KN12T40-D | R15-KN12T40-D | R16-KN12T40-D | 12 V | -S(-55°C - +85°C) |
| R13-KN24T40-D | R14-KN24T40-D | R15-KN24T40-D | R16-KN24T40-D | 24 V | |
| R13-KN28T40-D | R14-KN28T40-D | R15-KN28T40-D | R16-KN28T40-D | 28 V | |



SP3T to SP6T Electromechanical Switch

Typical Performance Data:

