



SP3T to SP6T Electromechanical Switch

Normally Open , DC to 40 GHz, 2.92mm, D-SUB

Electrical Characteristics:

Parameter	Value		
Frequency Range	DC-40GHz		
RF Impedance	50 Ohms		
Operation Mode	Normally Open		
Switch Sequence	Break before make		
Switching time	15 ms Max		
Standard Actuator Life	2 million Min		
Actuator voltage Available	12	24	28 V
Actuator current	285	155	145 mA



RF Specifications:

Frequency (GHz)	DC-6	6-12	12-18	18-26.5	26.5-40
Insertion Loss (dB max.)	0.3	0.4	0.5	0.8	1.0
Isolation (dB min.)	70	60	60	50	50
VSWR (max.)	1.3:1	1.4:1	1.5:1	1.9:1	2.0:1
RF Power CW (Watts max.)	80	50	45	15	8

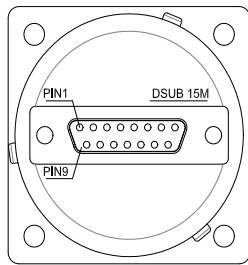
Environmental And Physical Characteristics:

Parameter	Value
Operating Temperature	-25°C to +65°C(Standard) -55°C to +85°C(Optional)
Vibration(operating)	10G RMS, 20-2000HZ
Shock(non operating)	50G, 1/2Sine, 12msec
Connector Type	2.92mm Female
Control Connector	D-SUB 15 Pin Male
Weight	285g Max

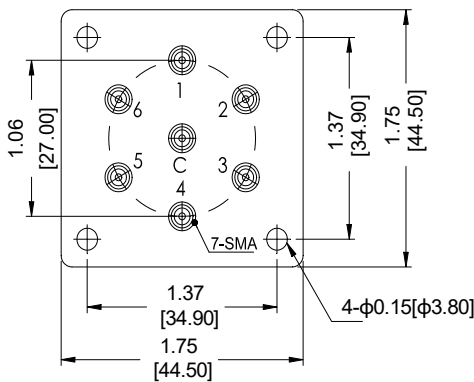
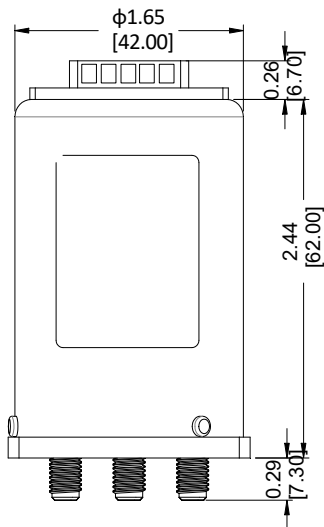


SP3T to SP6T Electromechanical Switch

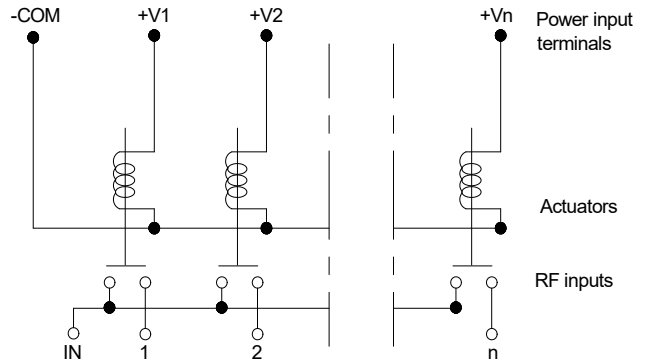
Outline Drawing:



Unit: Inch(mm)



Schematic:



Pin NO	FUNCTION	RF Connect Used			
		SP3T	SP4T	SP5T	SP6T
1	V1	1	1	1	1
2	V2		2	2	2
3	V3	3		3	3
4	V4		4	4	4
5	V5	5	5	5	5
6	V6				6
7	-COM				
8	NC				
9	NC				
10	NC				
11	NC				
12	NC				
13	NC				
14	NC				
15	NC				

Outline Drawing:

Part Number				Actuator voltage	Option
SP3T	SP4T	SP5T	SP6T		
R13-KN12040-D	R14-KN12040-D	R15-KN12040-D	R16-KN12040-D	12 V	-S(-55°C - +85°C)
R13-KN24040-D	R14-KN24040-D	R15-KN24040-D	R16-KN24040-D	24 V	
R13-KN28040-D	R14-KN28040-D	R15-KN28040-D	R16-KN28040-D	28 V	



SP3T to SP6T Electromechanical Switch

Typical Performance Data:

