



## SP9T to SP10T Electromechanical Switch

Normally Open , DC to 26.5 GHz, 2.92mm, TTL, D-SUB

### Electrical Characteristics:

Parameter	Value
Frequency Range	DC-26.5 GHz
RF Impedance	50 Ohms
Operation Mode	Normally Open
TTL TTL Voltage	0-0.8 V(OFF) 2.4-5 V(ON)
Switch Sequence	Break before make
Switching time	15 ms Max
Standard Actuator Life	2 million Min
Actuator Voltage Available	12    24    28 V
Actuator current	290    150    110 mA



### RF Specifications:

Frequency (GHz)	DC-4	4-8	8-12.4	12.4-18	18-26.5
Insertion Loss (dB max.)	0.2	0.3	0.4	0.6	0.8
Isolation (dB min.)	75	65	60	60	55
VSWR (max.)	1.2:1	1.3:1	1.4:1	1.6:1	1.9:1
RF Power CW (Watts max.)	100	70	60	45	10

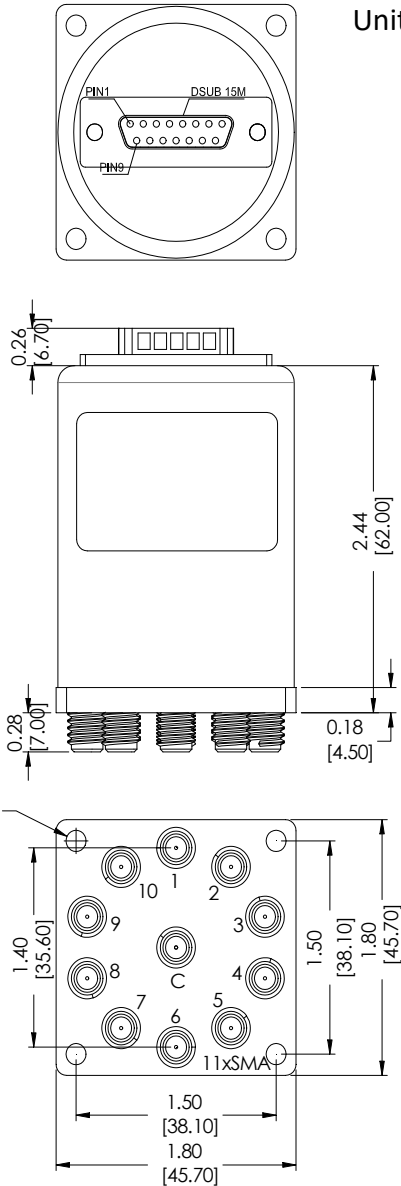
### Environmental And Physical Characteristics:

Parameter	Value
OperatingTemperature	-25°C to +65°C(Standard ) -55°C - +85°C(Optional)
Vibration(operating)	10G RMS, 20-2000HZ
Shock(non operating)	50G, 1/2Sine, 12msec
Connector Type	2.92mm Female
Control Connector	D-SUB 15 PIN Male
Weight	300g Max

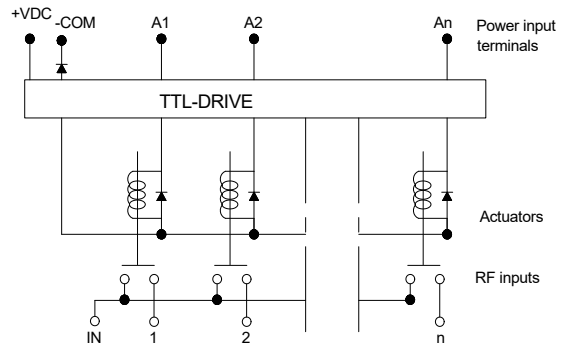


# SP9T to SP10T Electromechanical Switch

## Outline Drawing:



## Schematic:



Pin NO	FUNCTION	15 PIN D-SUB		RF Connect Used	
		SP9T	SP10T	SP9T	SP10T
1	A1	1	1		
2	A2	2	2		
3	A3	3	3		
4	A4	4	4		
5	A5	5	5		
6	A6	6	6		
7	A7	7	7		
8	A8	8	8		
9	A9	9	9		
10	A10				10
11	-COM				
12	NC				
13	NC				
14	NC				
15	+VDC				

## Part Number:

Part Number		Actuator voltage	Option
SP9T	SP10T		
R19-KN12T26-D	R1A-KN12T26-D	12 V	-S(-55°C - +85°C)
R19-KN24T26-D	R1A-KN24T26-D	24 V	
R19-KN28T26-D	R1A-KN28T26-D	28 V	