



# SP9T to SP10T Electromechanical Switch

Normally Open , DC to 18 GHz, SMA, D-SUB

## Electrical Characteristics:

Parameter	Value
Frequency Range	DC-18 GHz
RF Impedance	50 Ohms
Operation Mode	Normally Open
Switch Sequence	Break before make
Switching time	15 ms Max
Standard Actuator Life	2 million Min
Actuator Voltage Available	12    24    28 V
Actuator current	290    150    130 mA



## RF Specifications:

Frequency (GHz)	DC-4	4-8	8-12.4	12.4-18
Insertion Loss (dB max.)	0.2	0.3	0.4	0.6
Isolation (dB min.)	75	65	60	55
VSWR (max.)	1.2:1	1.3:1	1.4:1	1.6:1
RF Power CW (Watts max.)	100	70	60	45

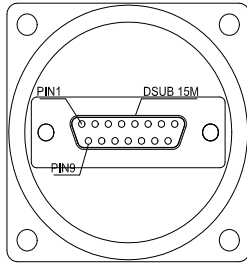
## Environmental And Physical Characteristics:

Parameter	Value
Operating Temperature	-25°C to +65°C(Standard ) -55°C - +85°C(Optional)
Vibration(operating)	10G RMS, 20-2000HZ
Shock(non operating)	50G, 1/2Sine, 12msec
Connector Type	SMA Female
Control Connector	D-SUB 15 PIN Male
Weight	300g Max

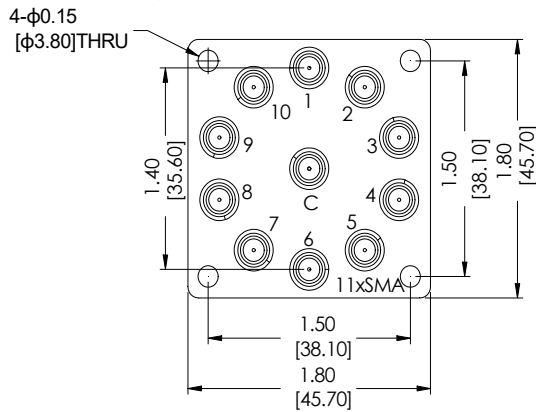
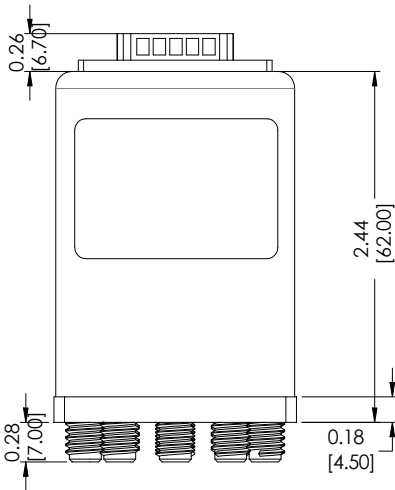


# SP9T to SP10T Electromechanical Switch

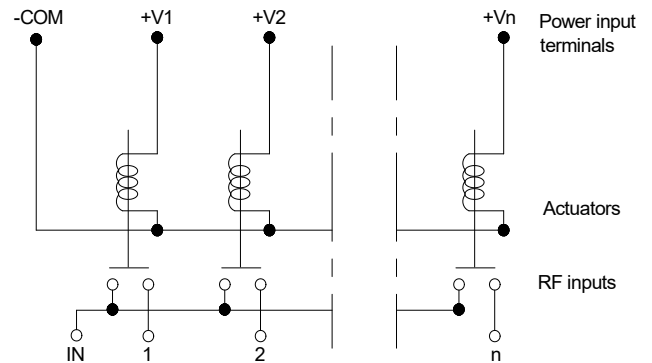
## Outline Drawing:



Unit: Inch( mm)



## Schematic:



Pin NO	FUNCTION	RF Connect Used	
		SP9T	SP10T
1	V1	1	1
2	V2	2	2
3	V3	3	3
4	V4	4	4
5	V5	5	5
6	V6	6	6
7	V7	7	7
8	V8	8	8
9	V9	9	9
10	V10		10
11	-COM		
12	NC		
13	NC		
14	NC		
15	NC		

## Part Number:

Part Number		Actuator voltage	Option
SP9T	SP10T		
R19-SN12018-D	R1A-SN12018-D	12 V	-S(-55°C - +85°C)
R19-SN24018-D	R1A-SN24018-D	24 V	
R19-SN28018-D	R1A-SN28018-D	28 V	