



SP3T to SP6T Electromechanical Switch

Pulse Latching , DC to 40 GHz, 2.92mm, Terminated,D-SUB

Electrical Characteristics:

Parameter	Condition
Frequency Range	DC-40GHz
RF Impedance	50 Ohms
Operation Mode	Pulse Latching
Switch Sequence	Break before make
Switching time	15 ms Max
Standard Actuator Life	2 million Min
Termination Power CW	2 W
Actuator voltage Available	12 24 28 V
Actuator current	350 185 160 mA



RF Specifications:

Frequency (GHz)	DC-6	6-12	12-18	18-26.5	26.5-40
Insertion Loss (dB max.)	0.3	0.4	0.5	0.8	1.3
Isolation (dB min.)	70	60	60	55	50
VSWR (max.)	1.3:1	1.4:1	1.5:1	1.9:1	2.1:1
RF Power CW (Watts max.)	80	50	45	15	8

Environmental And Physical Characteristics:

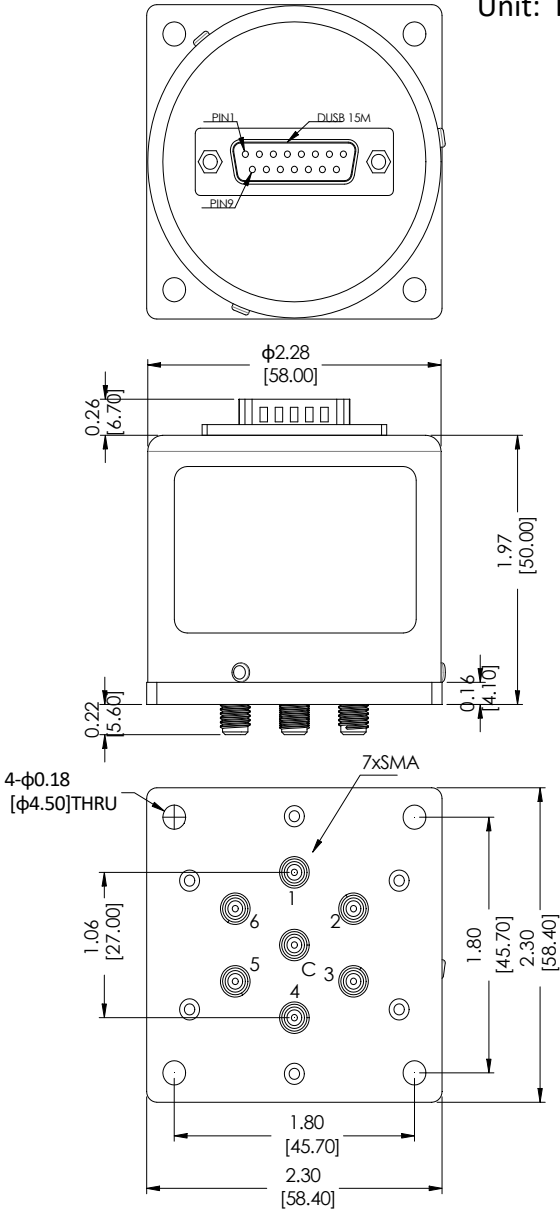
Parameter	Condition
OperatingTemperature	-25°C to +65°C(Standard) -55°C - +85°C(Optional)
Vibration(operating)	10G RMS, 20-2000HZ
Shock(non operating)	50G, 1/2Sine, 12msec
Connector Type	2.92mm Female
Control Connector	D-SUB 15PIN Male
Weight	350g Max



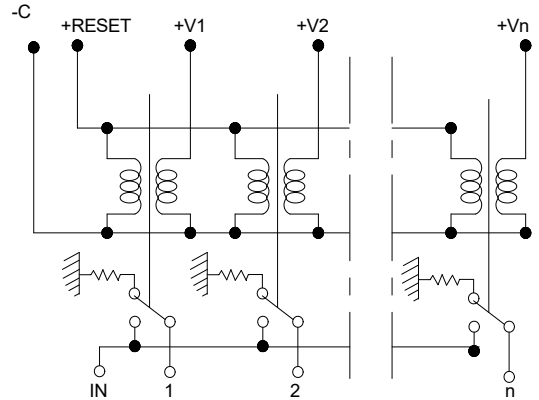
SP3T to SP6T Electromechanical Switch

Outline Drawing:

Unit: Inch(mm)



Schematic:



Pin NO	FUNCTION	RF Connect Used			
		SP3T	SP4T	SP5T	SP6T
1	V1	1	1	1	1
2	V2		2	2	2
3	V3	3		3	3
4	V4		4	4	4
5	V5	5	5	5	5
6	V6				6
7	-COM				
8	VR(Reset)				
9	NC				
10	NC				
11	NC				
12	NC				
13	NC				
14	NC				
15	NC				

Part Number:

Part Number				Actuator voltage	Option
SP3T	SP4T	SP5T	SP6T		
R13-KL12040-DT	R14-KL12040-DT	R15-KL12040-DT	R16-KL12040-DT	12 V	-S(-55°C - +85°C)
R13-KL24040-DT	R14-KL24040-DT	R15-KL24040-DT	R16-KL24040-DT	24 V	
R13-KL28040-DT	R14-KL28040-DT	R15-KL28040-DT	R16-KL28040-DT	28 V	



SP3T to SP6T Electromechanical Switch

Typical Performance Data:

