



SP3T to SP6T Electromechanical Switch

Pulse Latching , DC to 18 GHz, SMA, TTL, Terminated,D-SUB

Electrical Characteristics:

Parameter	Value
Frequency Range	DC-18 GHz
RF Impedance	50 Ohms
Operation Mode	Pulse Latching
TTL TTL Voltage	0-0.8 V(OFF)2.4-5 V(ON)
Switch Sequence	Break before make
Switching time	15 ms Max
Standard Actuator Life	2 million Min
Termination Power CW	2 W
Actuator Voltage Available	12 24 28 V
Actuator current	300 160 140 mA



RF Specifications:

Frequency (GHz)	DC-6	6-12	12-18
Insertion Loss (dB max.)	0.3	0.4	0.5
Isolation (dB min.)	70	60	60
VSWR (max.)	1.3:1	1.4:1	1.5:1
RF Power CW (Watts max.)	80	50	45

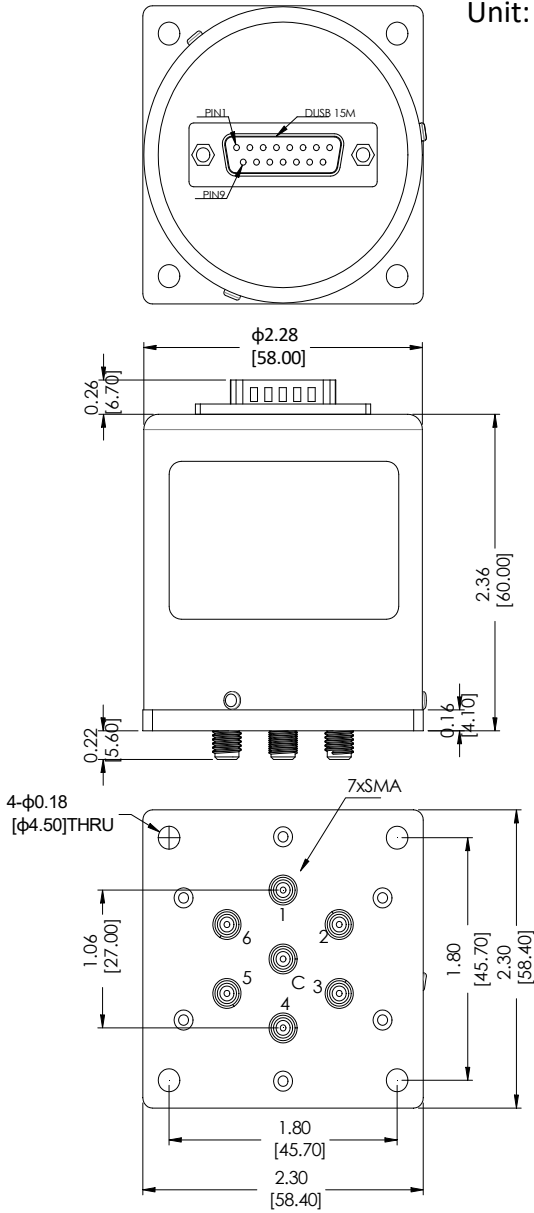
Environmental And Physical Characteristics:

Parameter	Value
Operating Temperature	-25°C to +65°C(Standard) -55°C to +85°C(Optional)
Vibration(operating)	10G RMS, 20-2000HZ
Shock(non operating)	50G, 1/2Sine, 12msec
Connector Type	SMA Female
Control Connector	D-SUB 15 PIN Male
Weight	350g Max

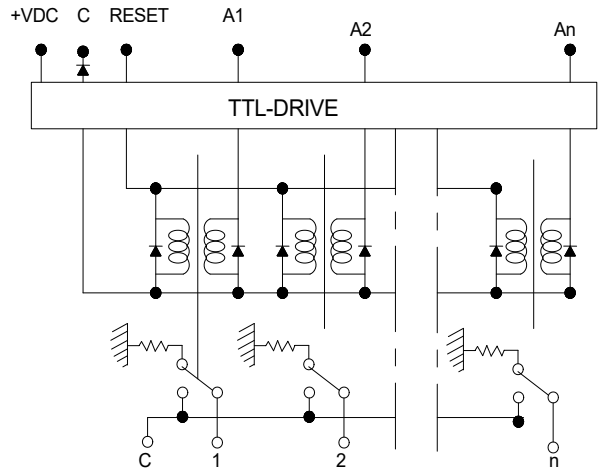


SP3T to SP6T Electromechanical Switch

Outline Drawing:



Schematic:



Pin NO	FUNCTION	RF Connect Used			
		SP3T	SP4T	SP5T	SP6T
1	A1	1	1	1	1
2	A2		2	2	2
3	A3	3		3	3
4	A4		4	4	4
5	A5	5	5	5	5
6	A6				6
7	-COM				
8	AR(Reset)				
9	NC				
10	NC				
11	NC				
12	NC				
13	NC				
14	NC				
15	+VDC				

Part Number :

Part Number				Actuator voltage	Option
SP3T	SP4T	SP5T	SP6T		
R13-SL12T18-DT	R14-SL12T18-DT	R15-SL12T18-DT	R16-SL12T18-DT	12 V	-S(-55°C - +85°C)
R13-SL24T18-DT	R14-SL24T18-DT	R15-SL24T18-DT	R16-SL24T18-DT	24 V	
R13-SL28T18-DT	R14-SL28T18-DT	R15-SL28T18-DT	R16-SL28T18-DT	28 V	



SP3T to SP6T Electromechanical Switch

Typical Performance Data:

