



SP3T to SP6T Electromechanical Switch

Pulse Latching , DC to 18 GHz, SMA, Terminated,D-SUB

Electrical Characteristics:

Parameter	Condition		
Frequency Range	DC-18GHz		
RF Impedance	50 Ohms		
Operation Mode	Pulse Latching		
Switch Sequence	Break before make		
Switching time	15 ms Max		
Standard Actuator Life	2 million Min		
Termination Power CW	2 W		
Actuator voltage Available	12	24	28 V
Actuator current	350	185	160 mA



RF Specifications:

Frequency (GHz)	DC-6	6-12	12-18
Insertion Loss (dB max.)	0.3	0.4	0.5
Isolation (dB min.)	70	60	60
VSWR (max.)	1.3:1	1.4:1	1.5:1
RF Power CW (Watts max.)	80	50	45

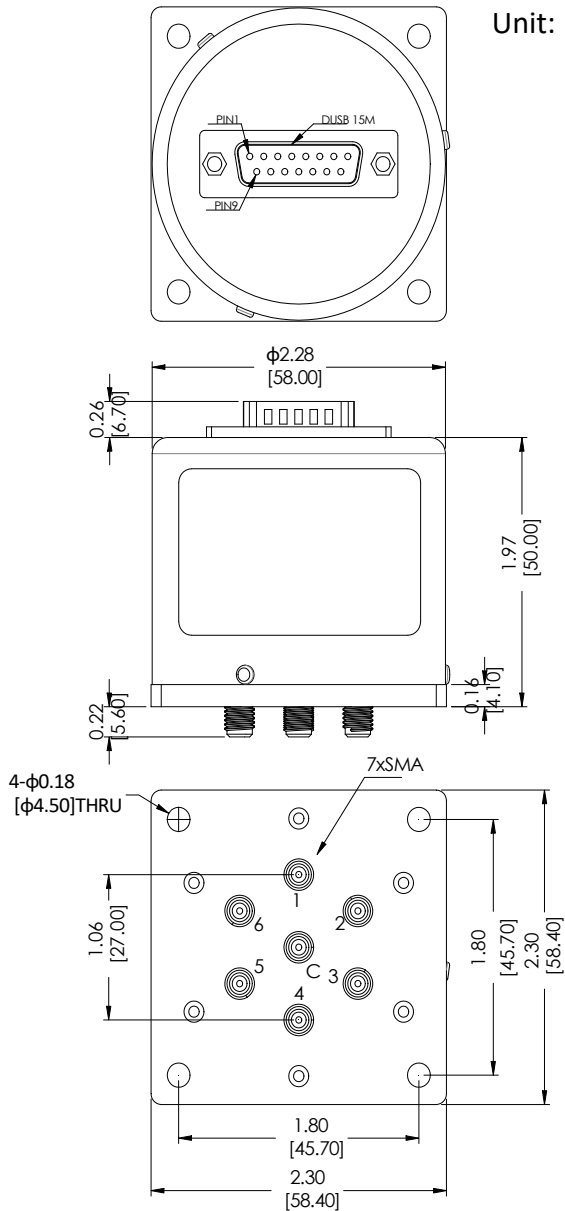
Environmental And Physical Characteristics:

Parameter	Condition
OperatingTemperature	-25°C to +65°C(Standard) -55°C - +85°C(Optional)
Vibration(operating)	10G RMS, 20-2000HZ
Shock(non operating)	50G, 1/2Sine, 12msec
Connector Type	SMA Female
Control Connector	D-SUB 15PIN Male
Weight	350g Max

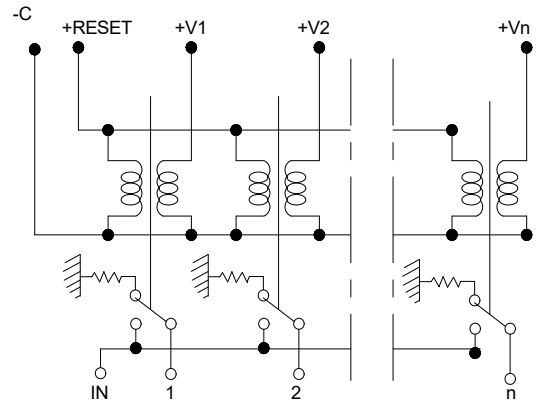


SP3T to SP6T Electromechanical Switch

Outline Drawing:



Schematic:



Pin NO	FUNCTION	RF Connect Used			
		SP3T	SP4T	SP5T	SP6T
1	V1	1	1	1	1
2	V2		2	2	2
3	V3	3		3	3
4	V4		4	4	4
5	V5	5	5	5	5
6	V6				6
7	-COM				
8	VR(Reset)				
9	NC				
10	NC				
11	NC				
12	NC				
13	NC				
14	NC				
15	NC				

Part Number :

Part Number				Actuator voltage	Option
SP3T	SP4T	SP5T	SP6T		
R13-SL12018-DT	R14-SL12018-DT	R15-SL12018-DT	R16-SL12018-DT	12 V	-S(-55°C - +85°C)
R13-SL24018-DT	R14-SL24018-DT	R15-SL24018-DT	R16-SL24018-DT	24 V	
R13-SL28018-DT	R14-SL28018-DT	R15-SL28018-DT	R16-SL28018-DT	28 V	



SP3T to SP6T Electromechanical Switch

Typical Performance Data:

