



## SPDT Electromechanical Switch

### Pulse Latching, DC to 18 GHz, SMA, Solder Pin

#### Electrical Characteristics:

Parameter	Condition
Frequency Range	DC-18GHz
RF Impedance	50 Ohms
Operation Mode	Pulse Latching
Switch Sequence	Break before make
Switching time	15 ms Max
Standard Actuator Life	5 million Min
Actuator voltage Available	12    24    28 V
Actuator current	200    100    80 mA



#### RF Specifications:

Frequency (GHz)	DC-6	6-12	12-18
Insertion Loss (dB max.)	0.2	0.25	0.4
Isolation (dB min.)	70	70	60
VSWR (max.)	1.2:1	1.3:1	1.4:1
RF Power CW (Watts max.)	80	60	50

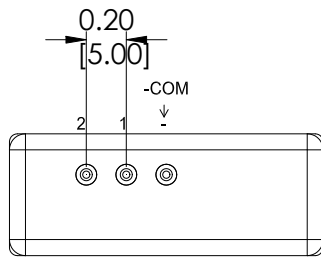
#### Environmental And Physical Characteristics:

Parameter	Condition
Operating Temperature	-25°C to +65°C (Standard ) -55°C to +85°C (Optional)
Vibration (operating)	10G RMS, 20-2000HZ
Shock (non operating)	50G, 1/2 Sine, 12msec
Connector Type	SMA Female
Control Connector	Solder Pin
Weight	70g Max



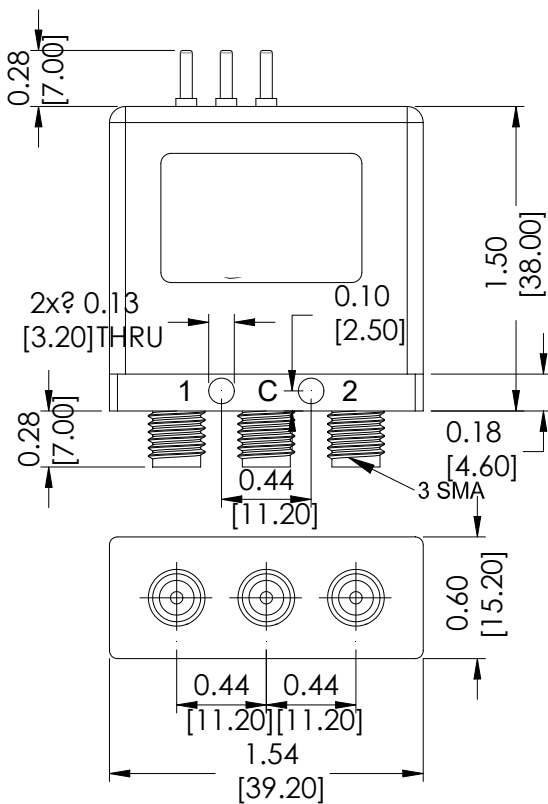
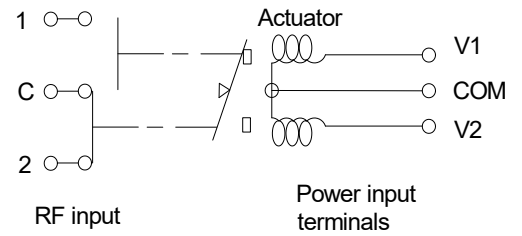
# SPDT Electromechanical Switch

## Outline Drawing:



Unit: Inch(mm)

## Schematic:



## Outline Drawing:

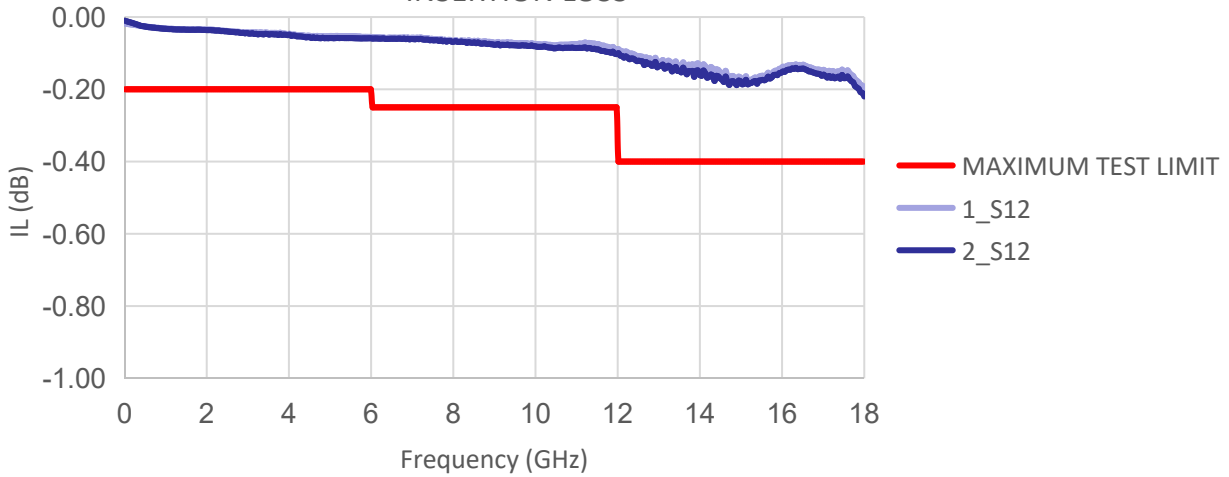
Part Number	Actuator voltage	Option
R12-SL12018	12 V	-S(-55°C - +85°C)
R12-SL24018	24 V	
R12-SL28018	28 V	



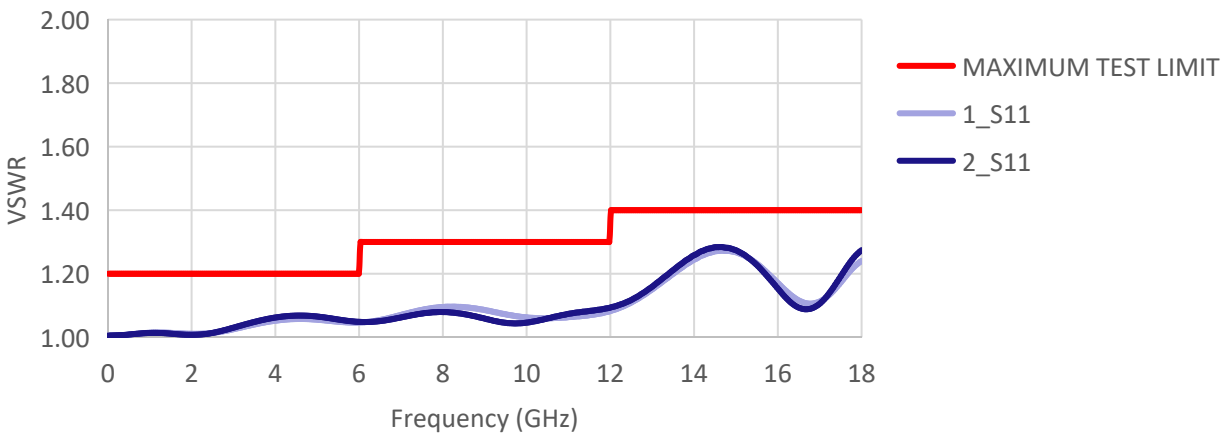
# SPDT Electromechanical Switch

## Typical Performance Data:

### INSERTION LOSS



### VSWR



### ISOLATION

